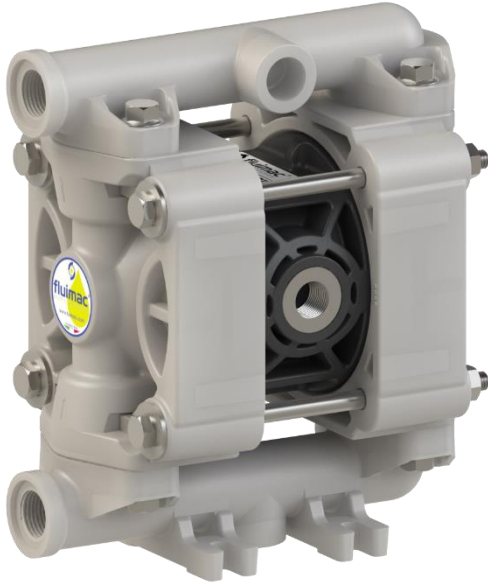


P 20



TECHNICAL DATA

Fluid connections	3/8" BSP
Air connection	1/4" BSP
Max. flow rate	20 lt/min
Max air pressure	7 bar
Max delivery head	70 m
Max suction lift dry	5 m
Max suction lift wet	9,8 m
Max solid passing	2,5 mm
Noise level	65 dB
Max viscosity	10.000 cps
Displacement per stroke	30 CC ~

II 3/3 G Ex h IIC T4 Gb

II 3 D Ex H IIIB T135°C Db X

Displacement per stroke may vary based on suction condition, discharge head, air pressure and fluid type.

POLYPROPYLENE



WEIGHT

1,3 KG

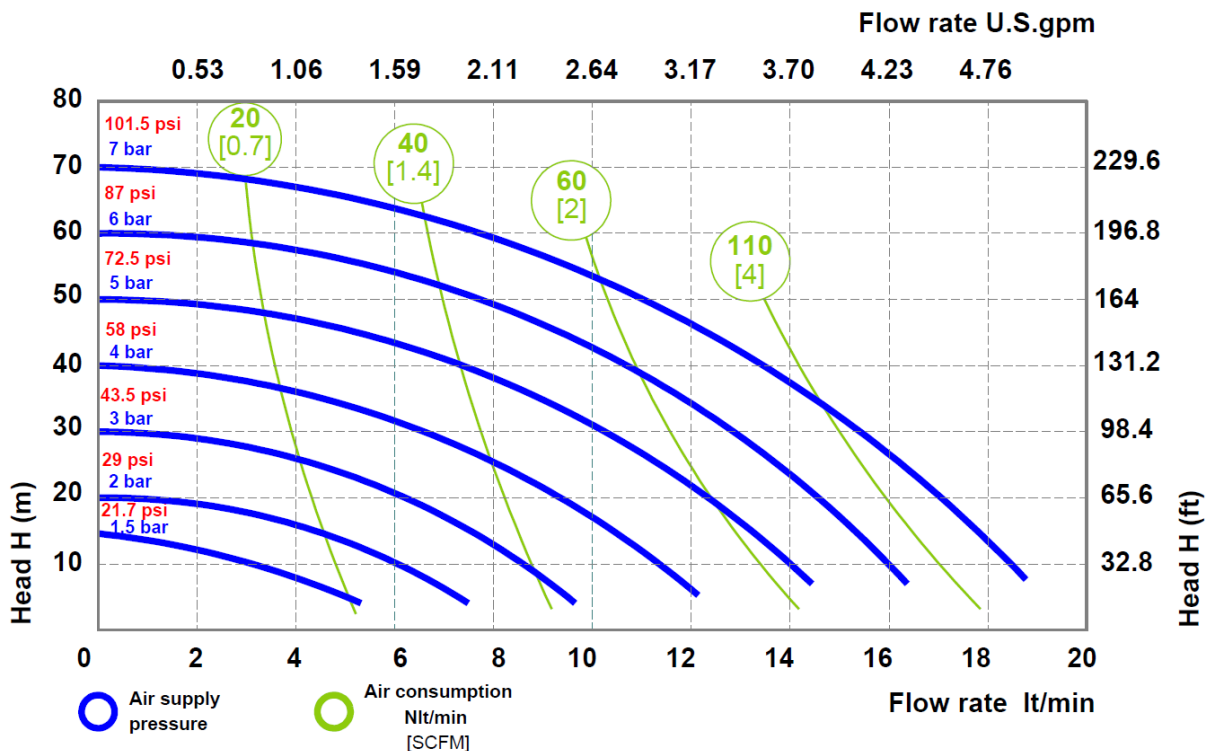
TEMPERATURE

-4°C

+65°C

PERFORMANCE

The curves and performance values refer to pumps with submerged suction and free delivery outlet, with water at 20 °C. These data may vary according to the construction materials and hydraulic conditions.



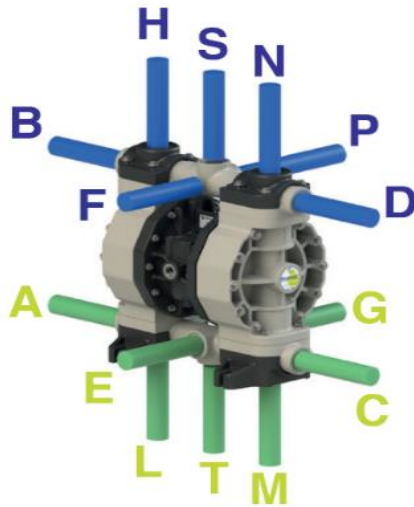
FLUIMAC S.r.l. - Via Breascia, 1 - 21049 - Tradate - VA - ITALY
 info@fluimac.com - www.fluimac.com
 tel. +39 0331 866688 - Fax +39 0331 864870
 P.I./VAT 03259160129



P 20

COMPOSITION

MODEL	CASING	DIAPHRAGM	BALLS	SEATS	GASKET	CONNECTIONS	ATEX	PORTS
P0020	P = PP	HT = HYTREL+PTFE MT = SANTOPRENE+PTFE H = HYTREL M = SANTOPRENE	T = PTFE S = SS	P = PP	D = EPDM V = VITON N = NBR T = PTFE	I = BSP S = NPT	-- ZONE 2	AB = STANDARD



AVAILABLE CONNECTIONS

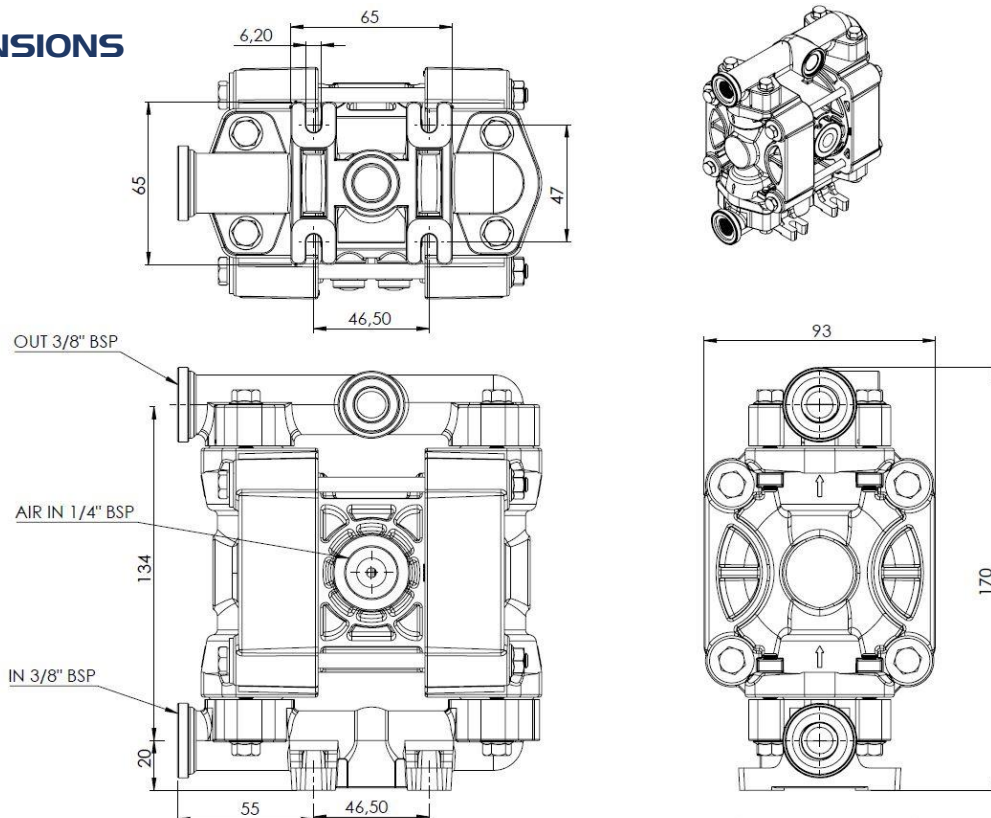
DELIVERY: B-D-F-P-S

SUCTION: A-C-E-G-T

PACKING DIMENSION

CARTON BOX: 24 x 21 x 12 cm

DIMENSIONS



Technical data are approximate and not binding for the manufacturer who reserves the right to change them without notice at any time.



FLUIMAC S.r.l. - Via Breascia, 1 - 21049 - Tradate - VA - ITALY
info@fluimac.com - www.fluimac.com
 tel. +39 0331 866688 - Fax +39 0331 864870
 P.I./VAT 03259160129

