

TECHNICAL DATA

Fluid connections	1/4" BSP
Air connection	1/8" BSP
Max. flow rate	7 lt/min
Max air pressure	6 bar
Max delivery head	60 m
Max suction lift dry	3 m
Max suction lift wet	9,8 m
Max solid passing	2 mm
Noise level	62 dB
Max viscosity	5.000 cps
Displacement per stroke	18 CC ~

II 3/3 G Ex h IIC T4 Gb

II 3 D Ex H IIIB T135°C Db X

Displacement per stroke may vary based on suction condition, discharge head, air pressure and fluid type.

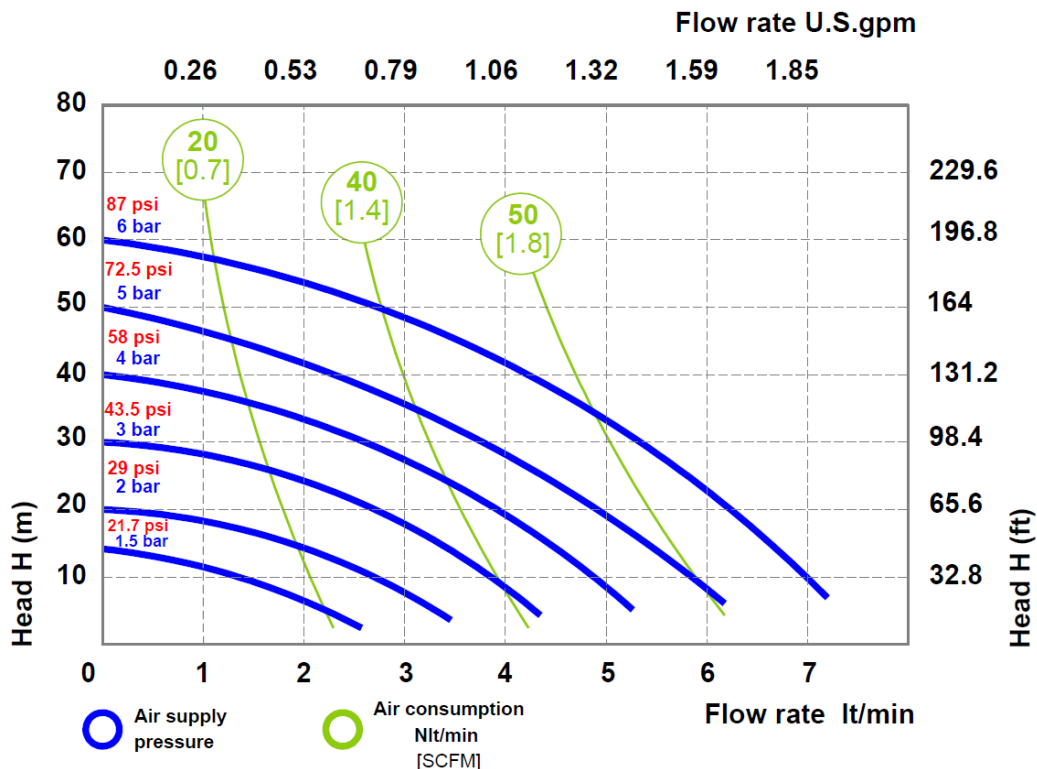
POLYPROPYLENE



WEIGHT	TEMPERATURE	
0,84 KG	-4°C	+65°C

PERFORMANCE

The curves and performance values refer to pumps with submerged suction and free delivery outlet, with water at 20 °C. These data may vary according to the construction materials and hydraulic conditions.

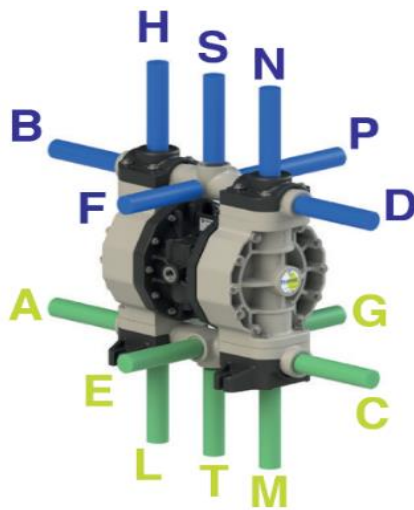


FLUMAC S.r.l. - Via Breascia, 1 - 21049 - Tradate - VA - ITALY
 info@flumatic.com - www.flumatic.com
 tel. +39 0331 866688 - Fax +39 0331 864870
 P.I./VAT 03259160129



COMPOSITION

MODEL	CASING	DIAPHRAGM	BALLS	SEATS	GASKET	CONNECTIONS	ATEX	PORTS
PO008	P = PP	NT = NBR+PTFE	T = PTFE S = SS	P = PP	D = EPDM V = VITON N = NBR T = PTFE	I = BSP S = NPT	-- ZONE 2	AB = STANDARD



AVAILABLE CONNECTIONS

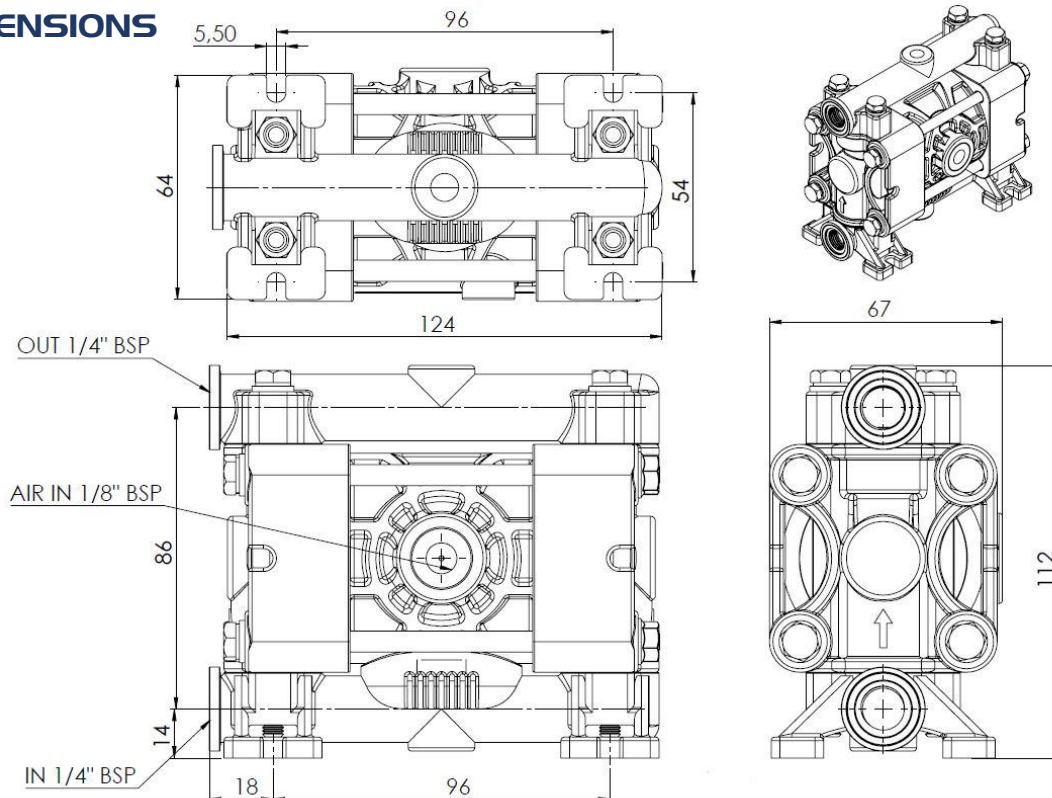
DELIVERY: B-D-S

SUCTION: A-C-T

PACKING DIMENSION

CARTON BOX: 17 x 21 x 11 cm

DIMENSIONS



Technical data are approximate and not binding for the manufacturer who reserves the right to change them without notice at any time.